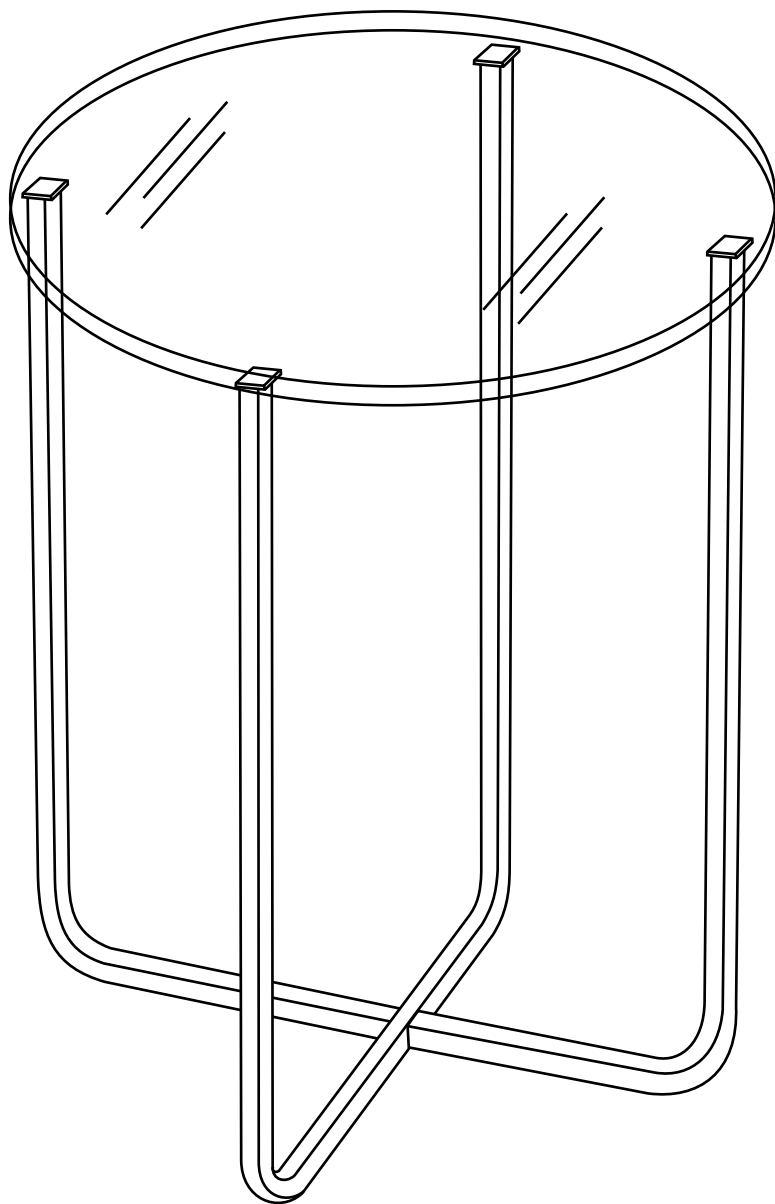


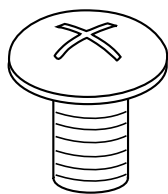
MORROW

SIDE TABLE

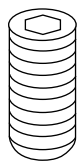


HARDWARE

-BODY SET



x4



x4

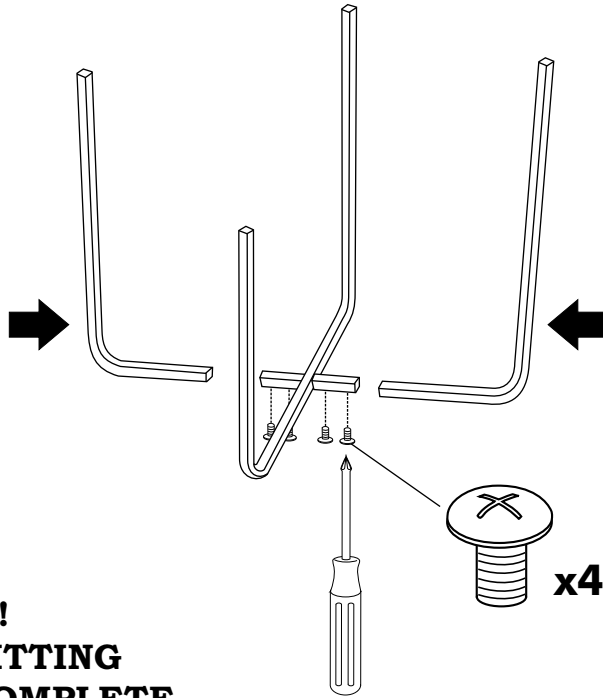


x4



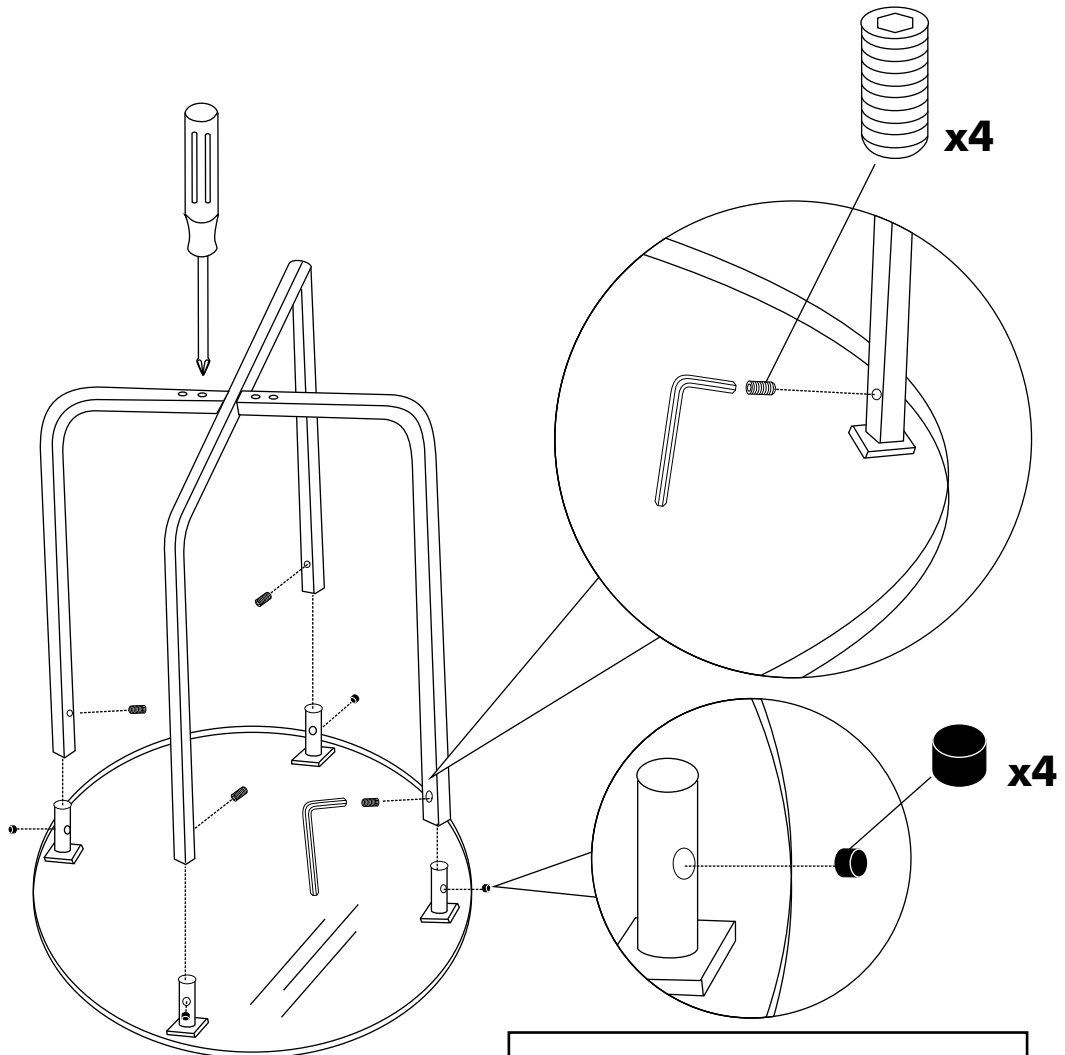
x1

1.



**WARNING!!!
DO NOT FIX ALL FITTING
BEFORE ALL STEP COMPLETE**

2.



**PLACE THE WHOLE SCREWS
BEFORE FIXING**