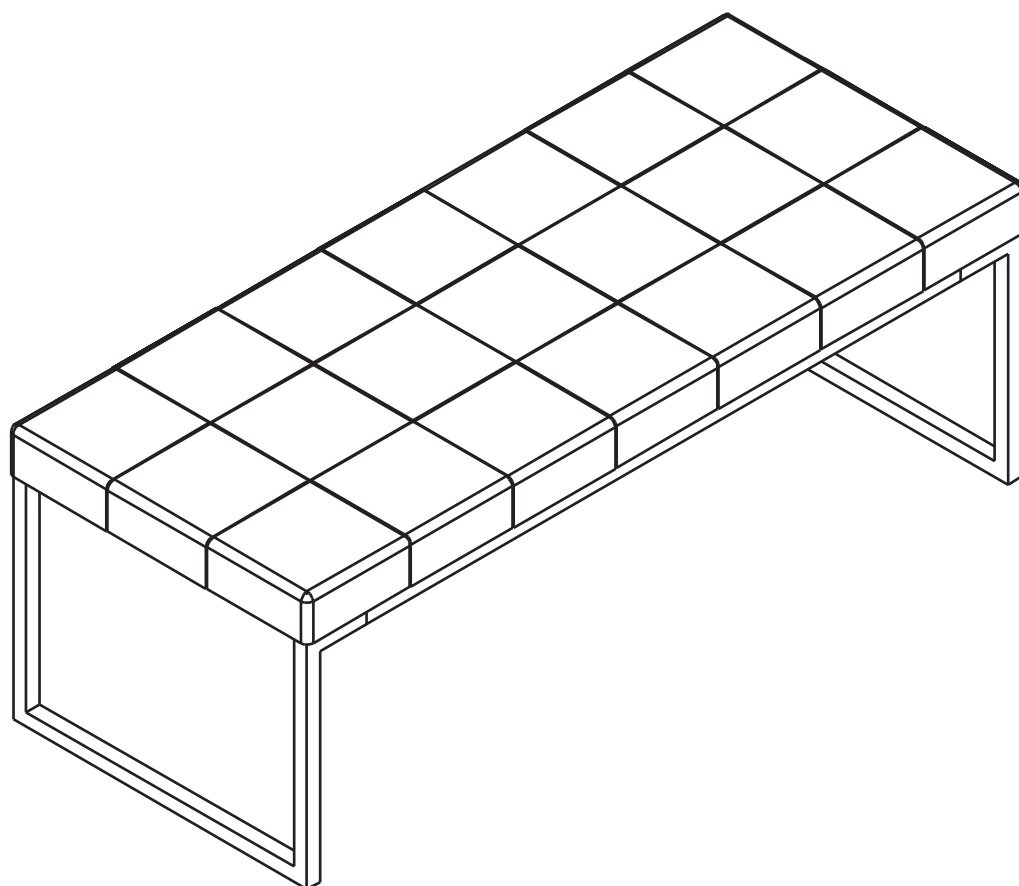
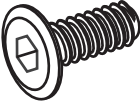


# WHARTON

## Bench Stool



# HARDWARE



#M6x15 mm.

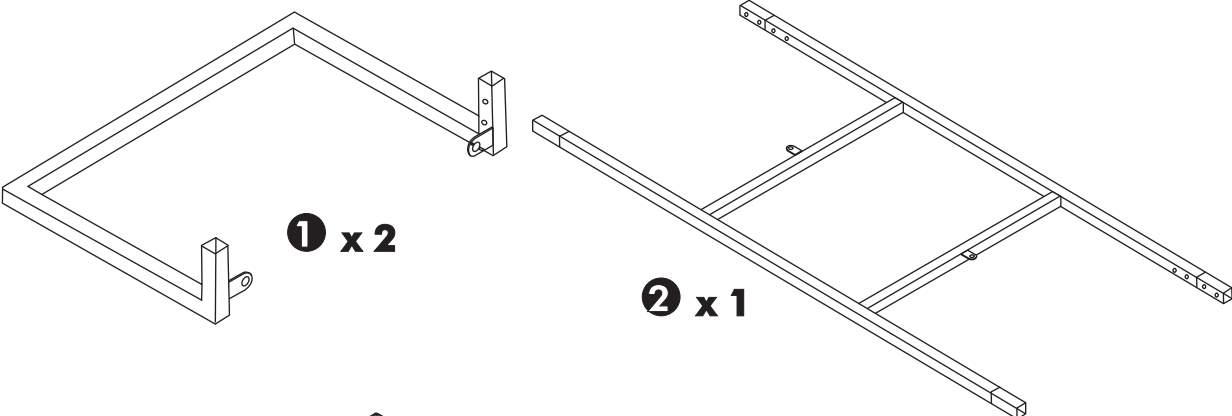
**x 14**



#M4

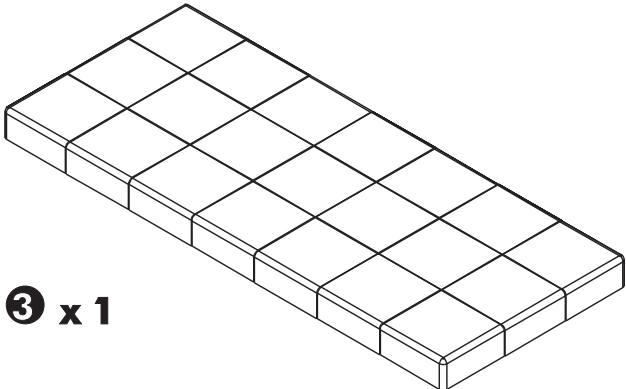
**x 1**

# PART



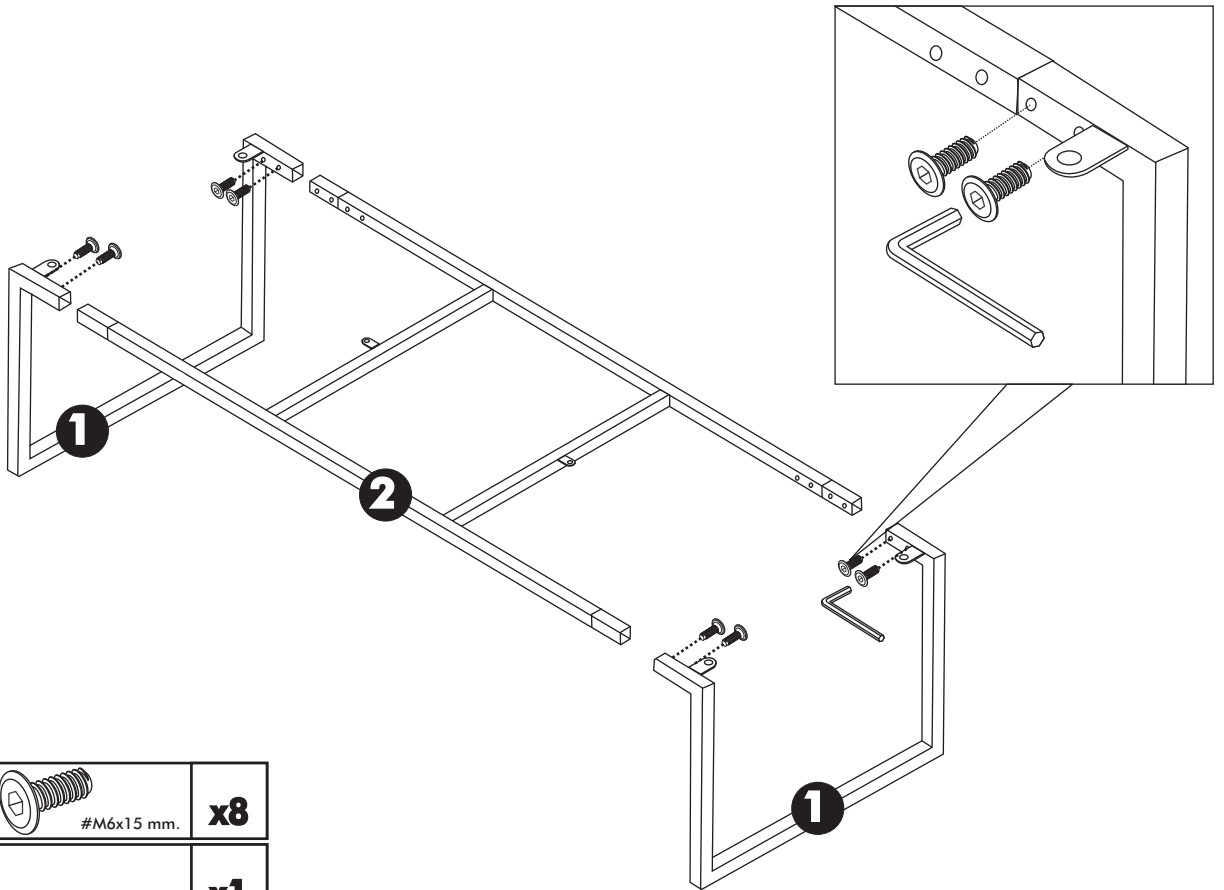
**1 x 2**

**2 x 1**



**3 x 1**

# 1.



# 2.

